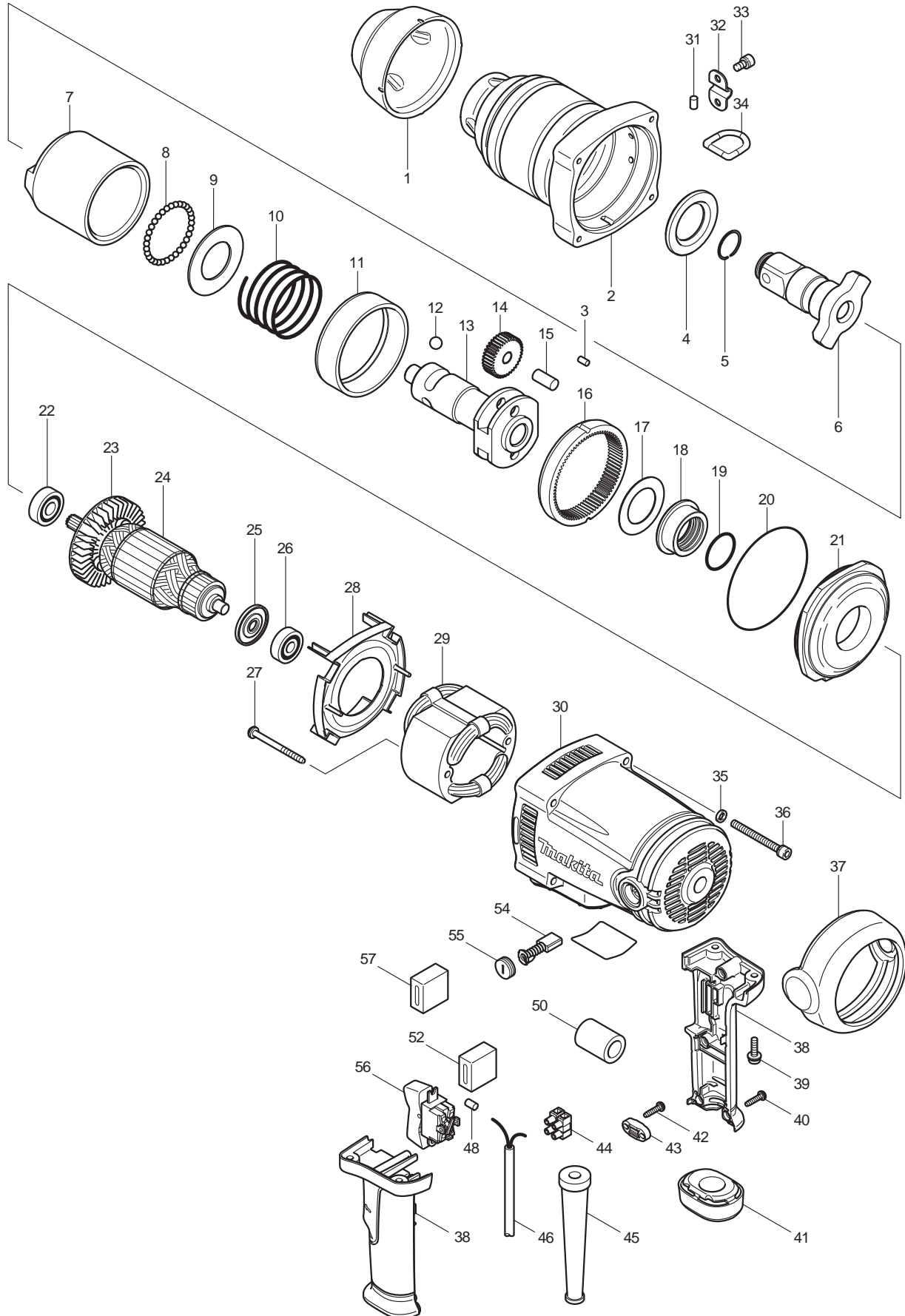




11 - 2010
TW1000
1" IMPACT WRENCH



Item No	Type	Ref	Part No	Description	Qty	Unit
1			421895-2	FRONT BUMPER	1	PC.
2			154555-8	HAMMER CASE COMPLETE	1	PC.
3			256253-1	PIN 5	2	PC.
4			253909-7	FLAT WASHER 35	1	PC.
5			231921-7	RING SPRING 22	1	PC.
6			325587-4	ANVIL	1	PC.
7			325415-3	HAMMER	1	PC.
8			216002-8	STEEL BALL 4.8	32	PC.
9			253712-6	FLAT WASHER 36	1	PC.
10	1		233428-9	* COMPRESSION SPRING 45	1	PC.
	2		231211-8	* COMPRESSION SPRING 36	1	PC.
11			333112-7	RING 79	1	PC.
12			216010-9	STEEL BALL 10.3	2	PC.
13	1		324501-7	* SPINDLE	1	PC.
	2		324666-5	* SPINDLE	1	PC.
14			227149-3	SPUR GEAR 37	2	PC.
15			256051-3	PIN 10	2	PC.
16			221815-4	INTERNAL GEAR 82	1	PC.
17			267170-0	FLAT WASHER 34	1	PC.
18			310154-8	BEARING BOX	1	PC.
19			213459-4	O RING 32	1	PC.
20			213855-6	O RING 95	1	PC.
21			317841-0	HAMMER CASE COVER	1	PC.
22			211137-0	BALL BEARING 6201LLU	1	PC.
23			240003-4	FAN 80	1	PC.
24			516916-4	ARMATURE ASS'Y 115V	1	PC.
		INC.		Item No. 22, 23, 25, 26	1	PC.
25			681665-3	INSULATION WASHER	1	PC.
26			211066-7	BALL BEARING 6200LLB	1	PC.
27			265345-5	+ HEX. BOLT M5X60	2	PC.
28			418814-7	BAFFLE PLATE	1	PC.
29			526146-9	FIELD ASS'Y 115V	1	PC.
		INC.	654020-2	RING TERMINAL	2	PC.
		INC.	654502-4	CONNECTOR P-2	2	PC.
30			154556-6	MOTOR HOUSING COMPLETE	1	PC.
		INC.	643653-8	BRUSH HOLDER 6.5-13.5	2	PC.
31			263005-3	RUBBER PIN 6	1	PC.
32			345517-9	PLATE	1	PC.
33			266157-9	HEX. SOCKET HEAD BOLT M6X12	2	PC.
34			282018-5	D-RING	1	PC.
35			941151-9	FLAT WASHER 6	4	PC.
36			265538-4	HEX.SOCKET HEAD BOLT M6X60	4	PC.
37			421896-0	REAR BUMPER	1	PC.
38			183935-1	HANDLE SET	1	SET
39			911233-1	PAN HEAD SCREW M5X20	4	PC.
40			265995-6	TAPPING SCREW 4X18	4	PC.
41			421897-8	BUMPER	1	PC.
42			265995-6	TAPPING SCREW 4X18	2	PC.
43			687063-9	STRAIN RELIEF	1	PC.
44			654531-7	TERMINAL BLOCK 2P	1	PC.
45			682564-2	CORD GUARD	1	PC.
46			664265-4	CORD WITH PLUG 2P-16-2.5M SJ	1	PC.
48			263005-3	RUBBER PIN 6	1	PC.

Item No	Type	Ref	Part No	Description	Qty	Unit
52			685725-3	SPONGE SHEET	1	PC.
54	1		181047-4	CARBON BRUSH CB-154 2PC/SET (W/O ORIGIN)	1	SET
	2		194986-9	CARBON BRUSH CB-154 2PC/SET (W/ ORIGIN)	1	SET
55			643650-4	BRUSH HOLDER CAP 6.5-13.5	2	PC.
56			651572-4	SWITCH SL220SD-19	1	PC.
58	2		231212-6	* COMPRESSION SPRING 49 (Added)	1	PC.
59	2		253713-4	* FLAT WASHER 35 (Added)	1	PC.
100			652008-6	P.H.SCREW M3.5X7 (FOR SWITCH)	4	PC.
101			654037-5	INSULATED EYE TERMINAL FT1.25-M3	4	PC.

ACCESSORIES

- See catalogue or visit www.makita.ca for optional accessory -

A01			122727-3	SIDE GRIP ASS'Y	1	PC.
	INC.		152624-9	GRIP 36 COMPLETE	1	PC.
	INC.		266358-9	R.H SQUARE NECK BOLT M8X50	1	PC.
	INC.		312743-5	GRIP BASE	1	PC.
	INC.		345097-5	BELT	1	PC.
	INC.		416401-6	LATCH (PLASTIC) - TYPE1	2	PC.
	INC.		163467-4	LATCH (METAL) - TYPE2	2	PC.
A02			824737-3	PLASTIC CARRYING CASE	1	PC.
A03			134870-6	EXTENSION BAR 25.4	1	PC.

SERVICE CHANGES

1. Change of Spindle and Compression Spring 45.

Addition of Compression spring 49 and Flat washer 35

Item No.	Description	Type1	Type2
13	SPINDLE	324501-7	324666-5
10	COMPRESSION SPRING	233428-9 (Size 45)	231211-8 (Size 36)
58	COMPRESSION SPRING (Added)	-----	231212-6 (Size 49)
59	FLAT WASHER 35 (Added)	-----	253713-4

Above parts interchangeable as a set.

(T/I # 86373)

